

8

7

6

5

4

3

2

1

D

D

C

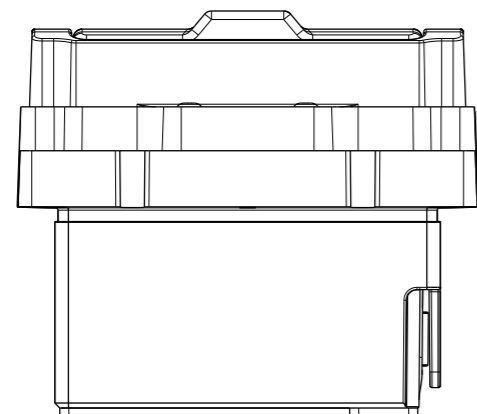
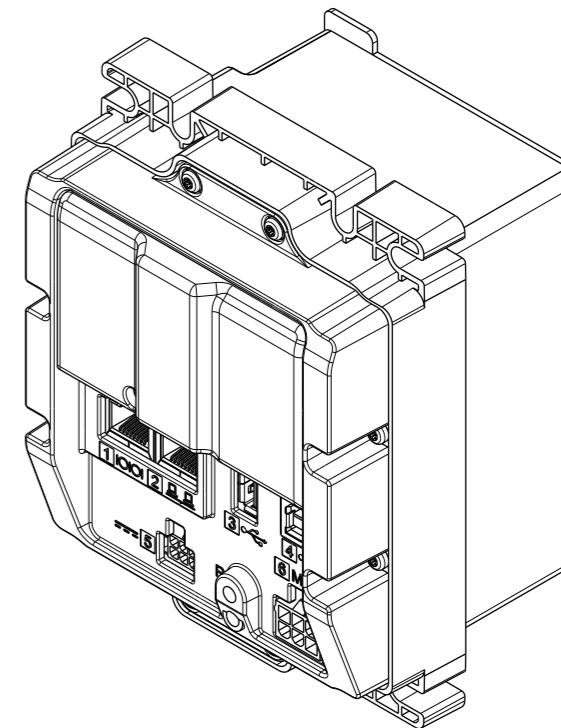
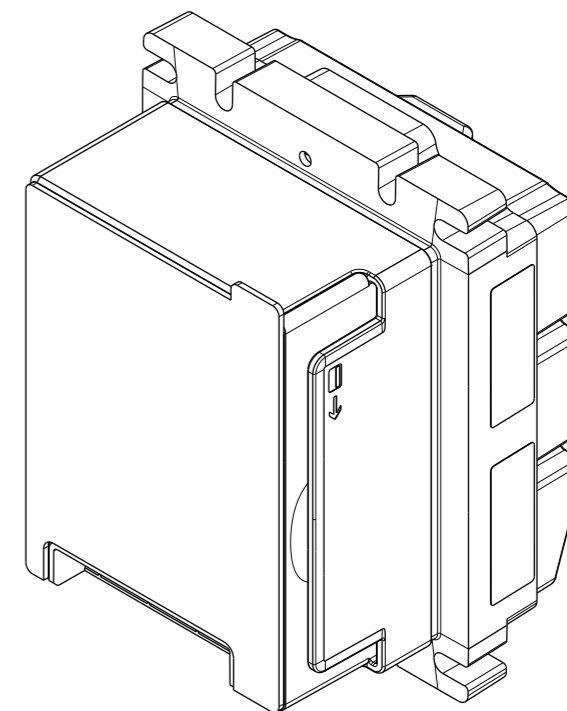
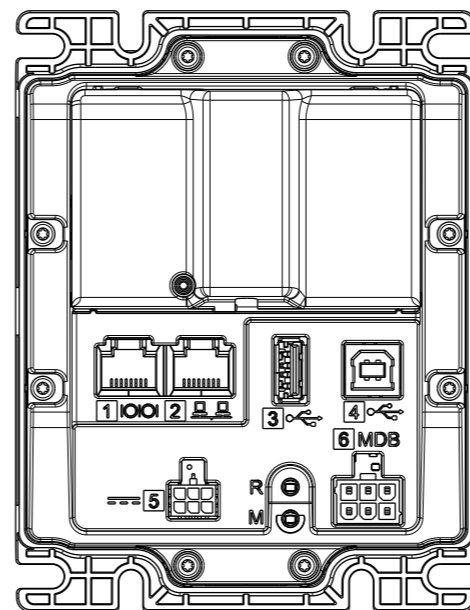
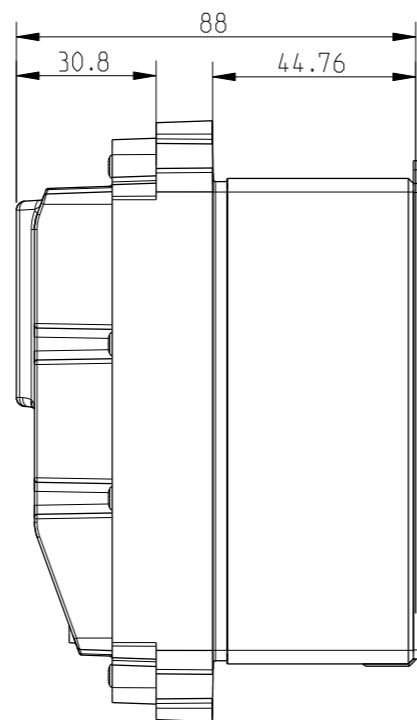
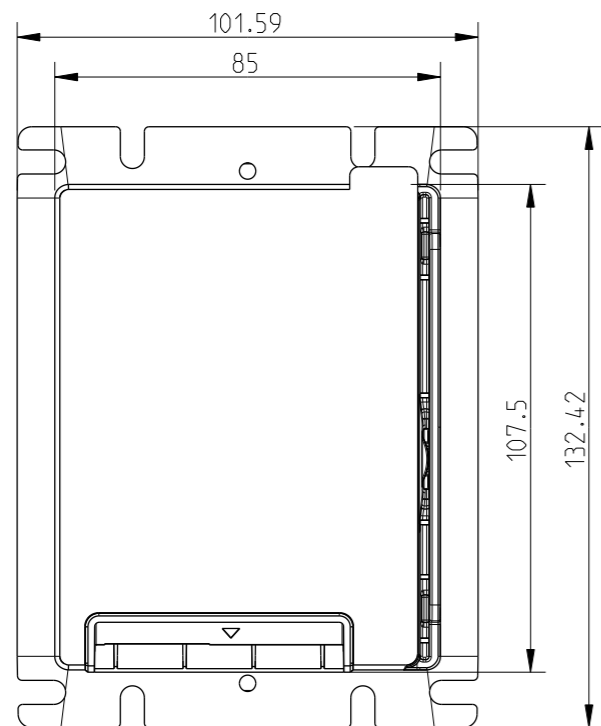
C

B

B

A

CONFIDENTIAL



-	-	-	-
-	-	-	-
-	-	-	-
-	-	-	-
A	ORIGINAL DRAWING	02/11/15	JW
Rev.	Modification Description	Date	Name

Project Leader	Approved by	Proj. EUR mm	Scale 7/100	Format A3	Sheet 1 of 2	<b>WORLDLINE</b>
<small>Unless otherwise specified, dimensions are in mm and given after finishing. If in doubt ask and report any discrepancies. All rights strictly reserved. Reproduction or issue to third parties in any form whatever is not permitted without written authority of banksys.</small>						
Drawing Title		Drawing number		Rev.		
<b>EVA CVS - TERMINAL - MOUNTING INSTUCTIONS</b>		<b>3034910003</b>		<b>01</b>		

8

7

6

5

4

3

2

1

8

7

6

5

4

3

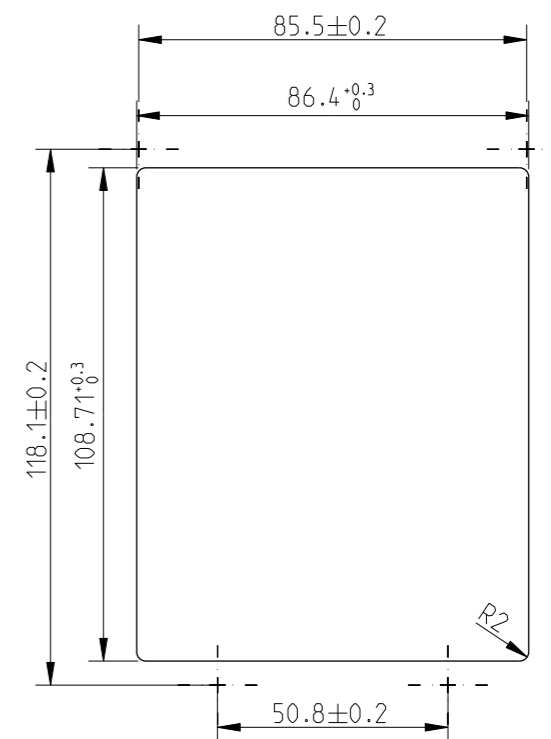
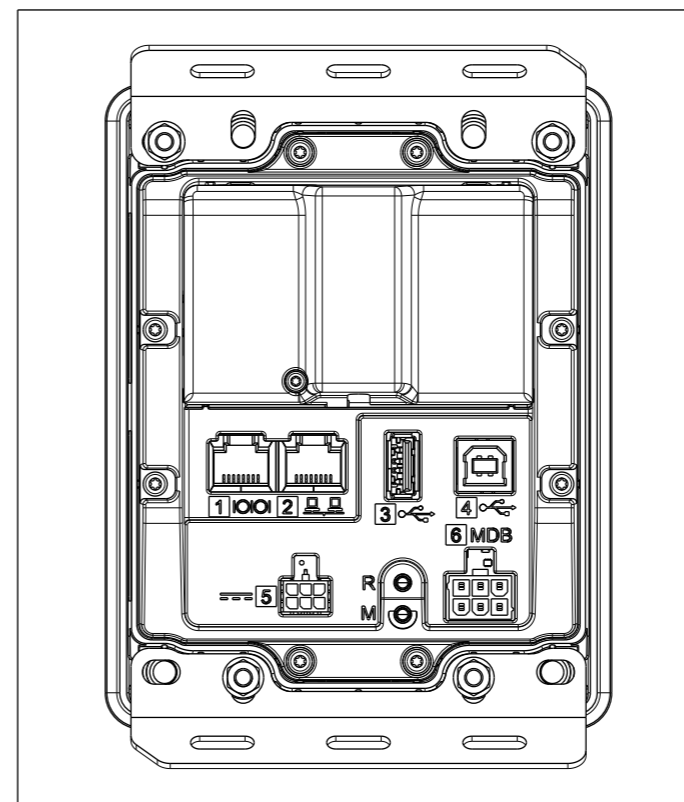
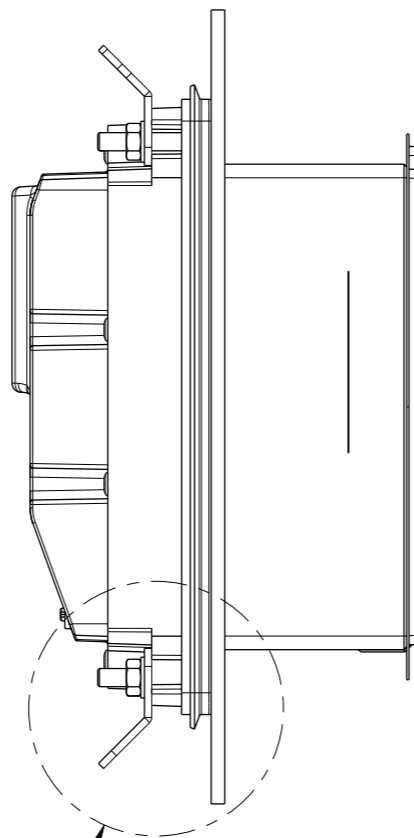
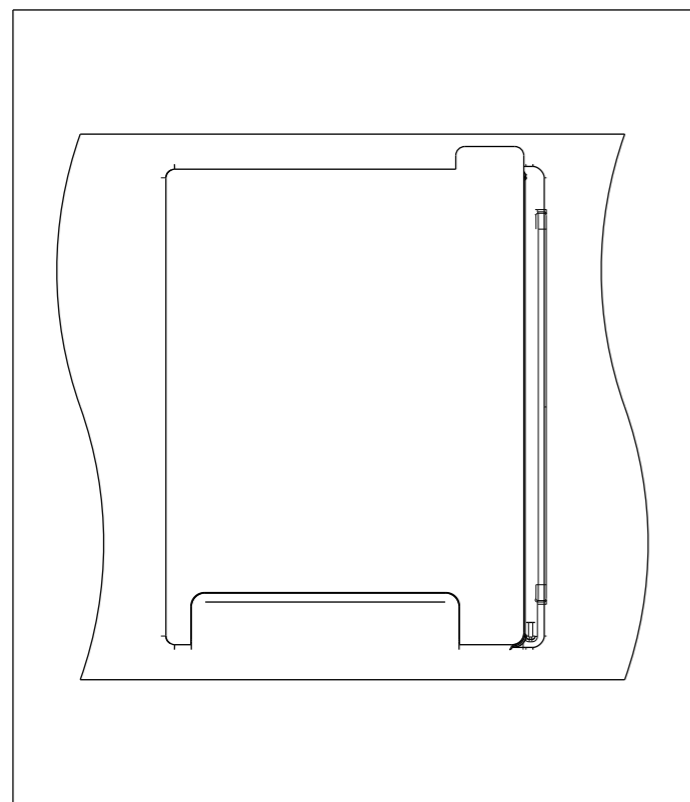
2

1

D

D

OPENING IN FRONT PLANE AND POSITIONING STUDS



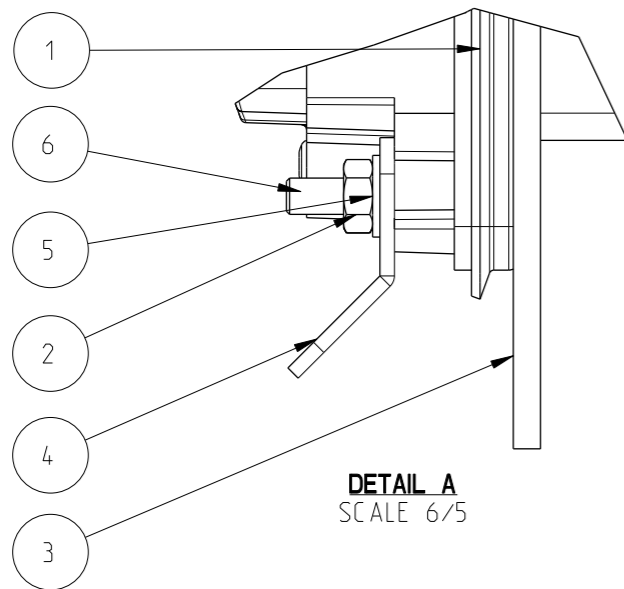
C

C

SEE DETAIL A

B

B



DETAIL A  
SCALE 6/5

A

CONFIDENTIAL

ID	ARTNUMBER	DESCRIPTION	QTY						
1	3034910124	FRONT GASKET	1	-	-	-	-	-	
2	1000710402	HEXAGON NUT DIN934 M4	4	-	-	-	-	-	
3	3034910132	INSTALLATION BOARD	1	-	-	-	-	-	
4	3034910125	MOUNTING PLATE	2	-	-	-	-	-	
5	1000810400	WASHER DIN125 M4	4	-	-	-	-	-	
6	D32501_M4X25--020699.PRT	WELD STUD M4x25	4	-	-	-	-	-	

Rev. A		ORIGINAL DRAWING		Date	02/11/15	Name	JW
Project Leader		Approved by		Scale	3/5	Format	A3
				Sheet	2 of 2	WORLDLINE	

Unless otherwise specified, dimensions are in mm and given after finishing. If in doubt ask and report any discrepancies. All rights strictly reserved. Reproduction or issue to third parties in any form whatever is not permitted without written authority of banksys.

Drawing Title: **EVA CVS - TERMINAL - MOUNTING INSTUCTIONS**  
 Drawing number: **3034910003**  
 Rev. **01**

8

7

6

5

4

3

2

1